

# AIR-OPERATED LUBRICATORS

## Oil Lubricators

65 series 1.8:1 ratio and high volume 110 series 5:1 ratio pumps are available in this series. They come complete with a large cabinet and a stable four caster base providing maximum portability and versatility. They come complete with an oil meter to measure oil volume as well as other accessories.



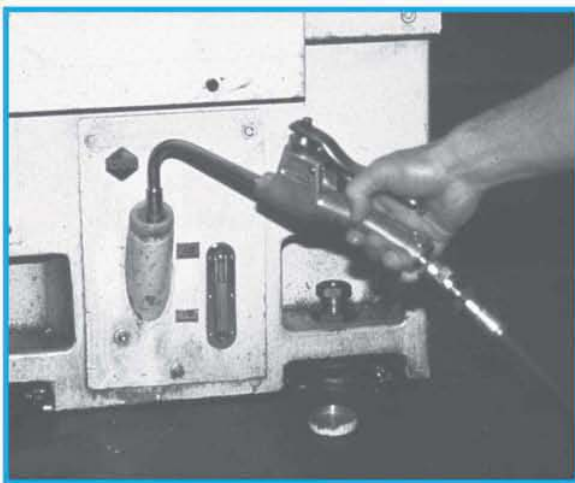
880267

**SGR-55**



880635

**SGR110A5**



**880267 SGR-55 OIL LUBRICATOR**

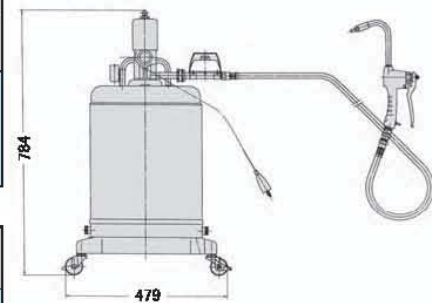
**SPECIFICATIONS**

CONTAINER CAPACITY	AIR SUPPLY PRESSURE	ACCESSORIES	NET WEIGHT (kg)	MEASUREMENT (m <sup>3</sup> )
20L	0.2 ~ 0.7MPa (2 ~ 7kgf/cm <sup>2</sup> )	850206 SGR-5TG L.P.OIL CONTROL VALVE 695052 SGR-55-1.5M 3/8" X 1.5m OIL HOSE 851942 STB-M OIL METER 882985 PAIL CAN	17.0	0.1613

**PUMP DATA**

MODEL NO.	PUMP RATIO	MAX FREE FLOW	OUTPUT PRESSURE	MAX AIR CONSUMPTION
850792	1.8 : 1	7L/min	1.2MPa (12kgf/cm <sup>2</sup> )	130L/min (ANR)

Dimensions (mm)



**880635 SGR110A5 OIL LUBRICATOR**

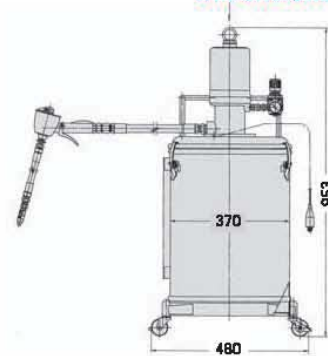
**SPECIFICATIONS**

CONTAINER CAPACITY	AIR SUPPLY PRESSURE	ACCESSORIES	NET WEIGHT (kg)	MEASUREMENT (m <sup>3</sup> )
20L	0.2 ~ 0.7MPa (2 ~ 7kgf/cm <sup>2</sup> )	801428 LBM-G GRIP METER 801195 NDN-H NON-DRIP NOZZLE FLEXIBLE 804553 OIL-SJ SWIVEL JOINT 695700 110H-3M 1/2" X 3m OIL HOSE 802553 AR-110A AIR REGULATOR	27.5	0.2374

**PUMP DATA**

MODEL NO.	PUMP RATIO	MAX FREE FLOW	OUTPUT PRESSURE	MAX AIR CONSUMPTION
851755	5 : 1	11L/min	3.5MPa (35kgf/cm <sup>2</sup> )	390L/min (ANR)

Dimensions (mm)

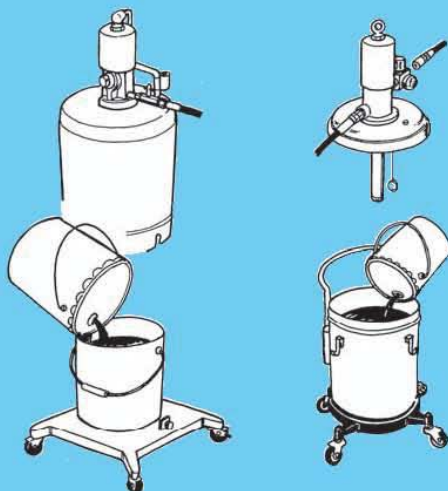


**INSTALLATION**

**OIL LUBRICATOR**

880267 SGR-55

880635 SGR110A5



**GREASE LUBRICATOR**

880870 SKR-55

880877 SKR-66

880631 SKR110A50

