

NDP-20 Specifications

Port Dimensions (31.7 GPM Max.)

Intake & discharge connection:

Polypropylene (PPG)	3/4" Female NPT
Aluminum (ADC-12)	3/4" Female NPT
Stainless Steel (316)	3/4" Female NPT
Air inlet (incl. ball valve):	1/4" Female NPT
Air exhaust (incl. silencer):	3/4" Female NPT

ANSI Flange also available — consult Yamada.

Maximum Liquid Temperature*

Diaphragm Material	Temperature
Buna N	180°F (82°C)
Neoprene	180°F (82°C)
Santoprene® (TPO)	180°F (82°C)
EPDM	212°F (100°C)
PTFE	212°F (100°C)
Hytrel® (TPEE)	248°F (120°C)
Viton® fluoroelastomer	248°F (120°C)

*The maximum liquid temperature for metal and Kynar® fitted pumps is determined by the elastomer (diaphragm material). Polypropylene pumps have a maximum liquid temperature of 180°F (82°C) regardless of diaphragm material.

Air Supply Pressure (All Models)

20–100 PSI (1.4–7 kgf/cm)

Discharge Volume Per Cycle

Rubber diaphragm: 0.163 gallons (615 cc)
PTFE diaphragm: 0.143 gallons (539 cc)

Maximum Cycles Per Minute

Rubber diaphragm: 195
PTFE diaphragm: 195

Maximum Size Solid

1/16" (2.0 mm)

Maximum Dry Suction Lift

Rubber-fitted pump capability: 18-feet

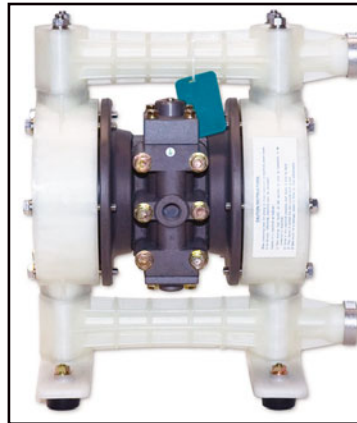
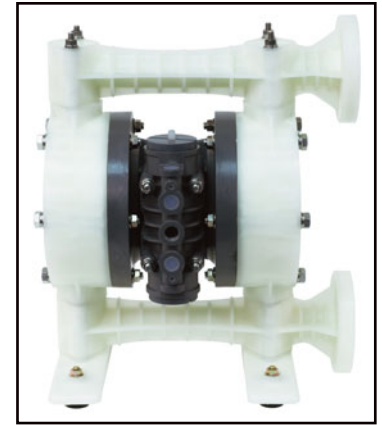
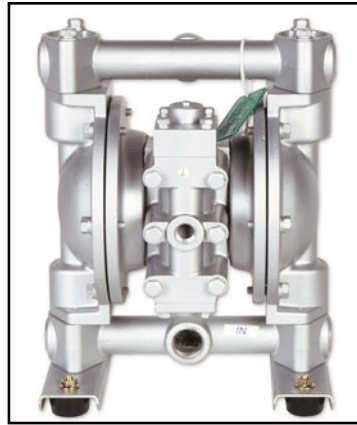
Air Motors

Aluminum air motor is standard on metal pumps. Polypropylene air motor is standard on polypropylene and Kynar® pumps.

Optional air motors: Polypropylene air motor for metal pumps; PTFE grey coating (XP) for aluminum motors.

Optional Split Manifold—contact Yamada

Notes: Hytrel® fitted pumps include Buna N check balls & wetted o-rings. Santoprene® fitted pumps include Santoprene® check balls & EPDM wetted o-rings.



Aluminum (NPT)

Dimensions: 9.80" W × 12.60" H

Net Wt.: 19.8 lbs. (9.0 kg)

Shipping Wt.: 23 lbs.

Polypropylene

ANSI Flange Dimensions:

12.44" W × 14.75" H

NPT Dimensions:

12.44" W × 14.50" H

Net Wt.: 17.6 lbs. (8.2 kg)

Shipping Wt.: 22.6 lbs.

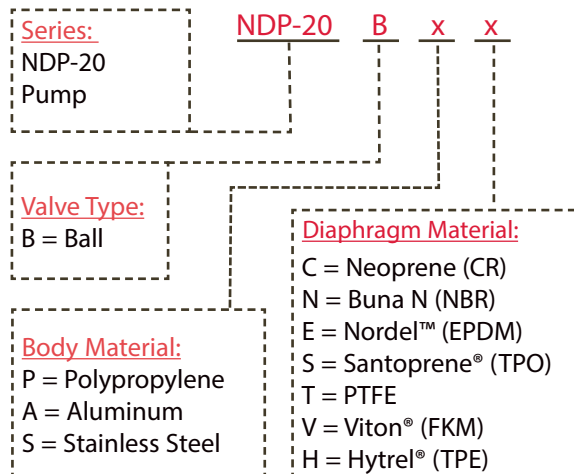
Stainless Steel (NPT)

Dimensions: 9.80" W × 12.60" H

Net Wt.: 30.8 lbs. (13.9 kg)

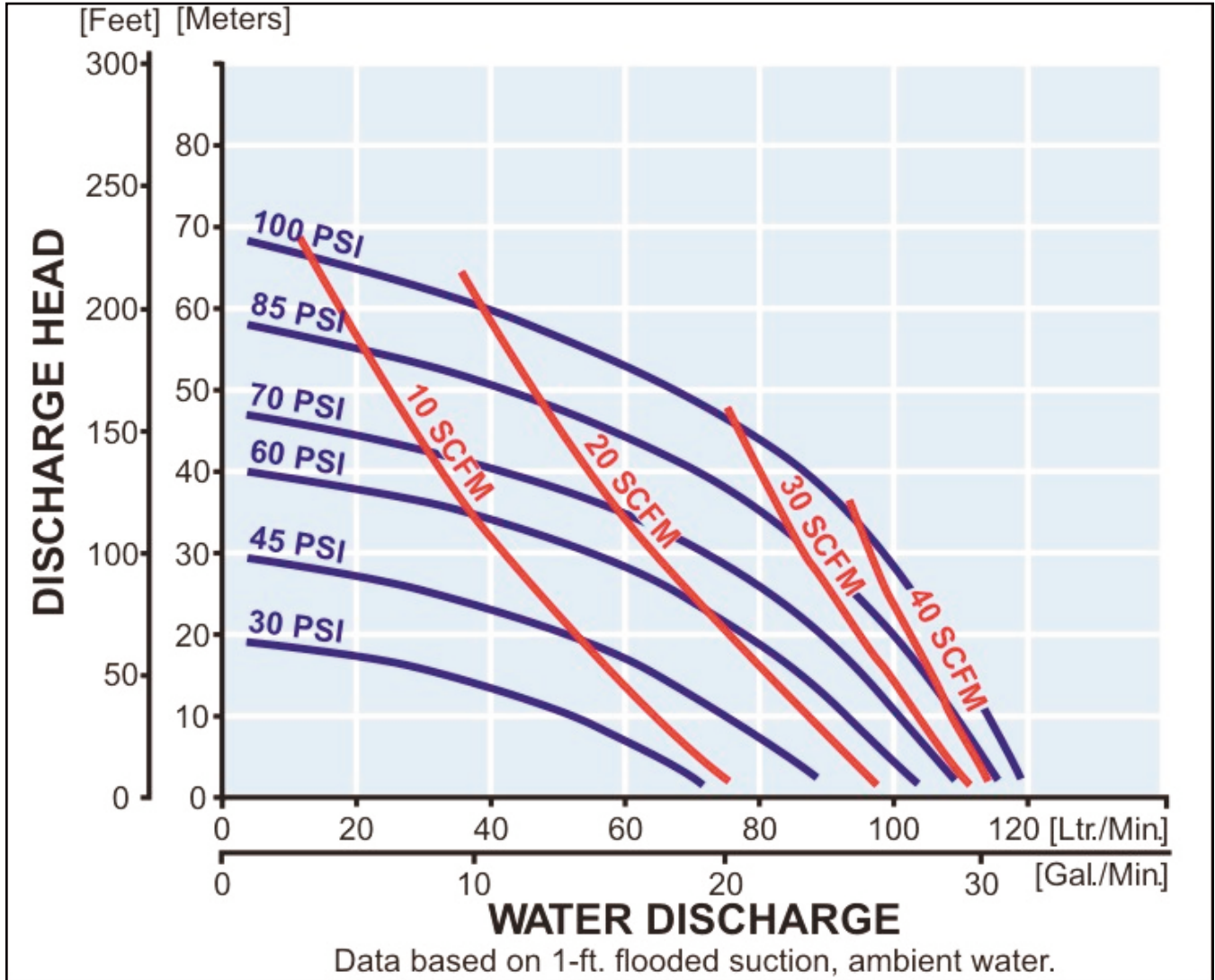
Shipping Wt.: 32 lbs.

Model Number Nomenclature



NDP-20 Performance Curve – Rubber

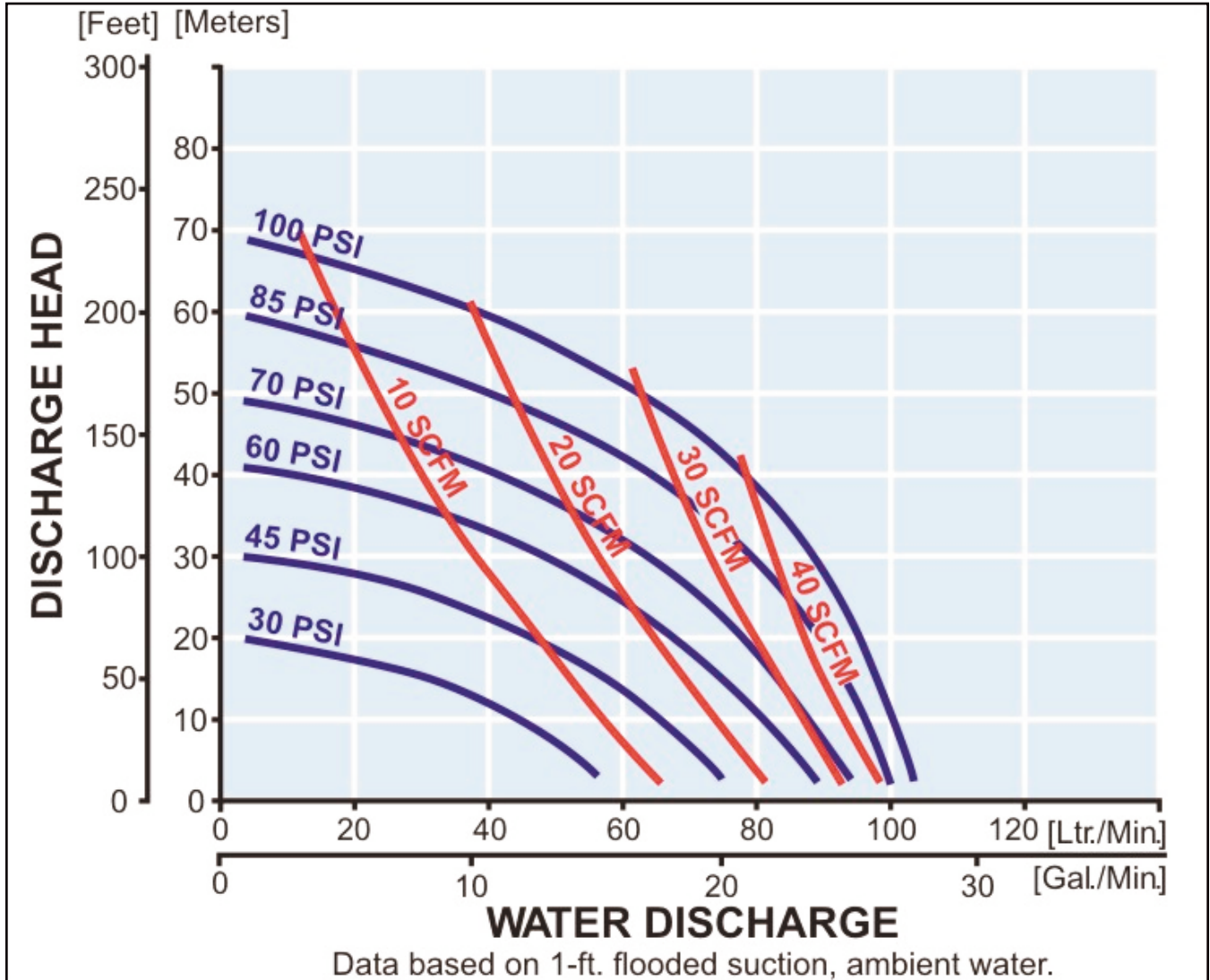
Rubber Diaphragm Performance Curve



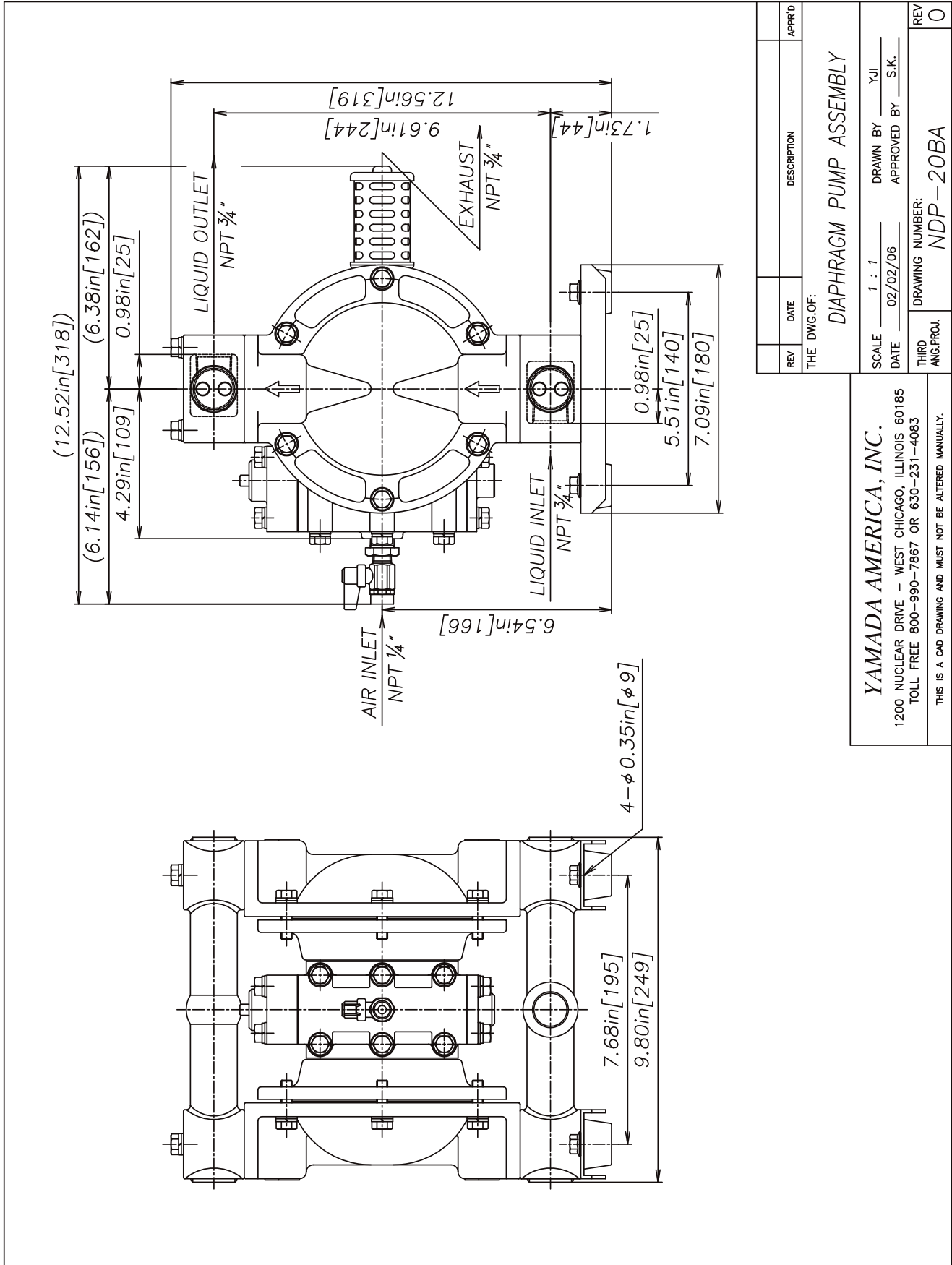
To calculate performance for Santoprene® and Hytrel®-fitted pumps, use Rubber Diaphragm Curve.

NDP-20 Performance Curve – PTFE

PTFE Diaphragm Performance Curve



To calculate performance for Santoprene® and Hytrel®-fitted pumps, use Rubber Diaphragm Curve.

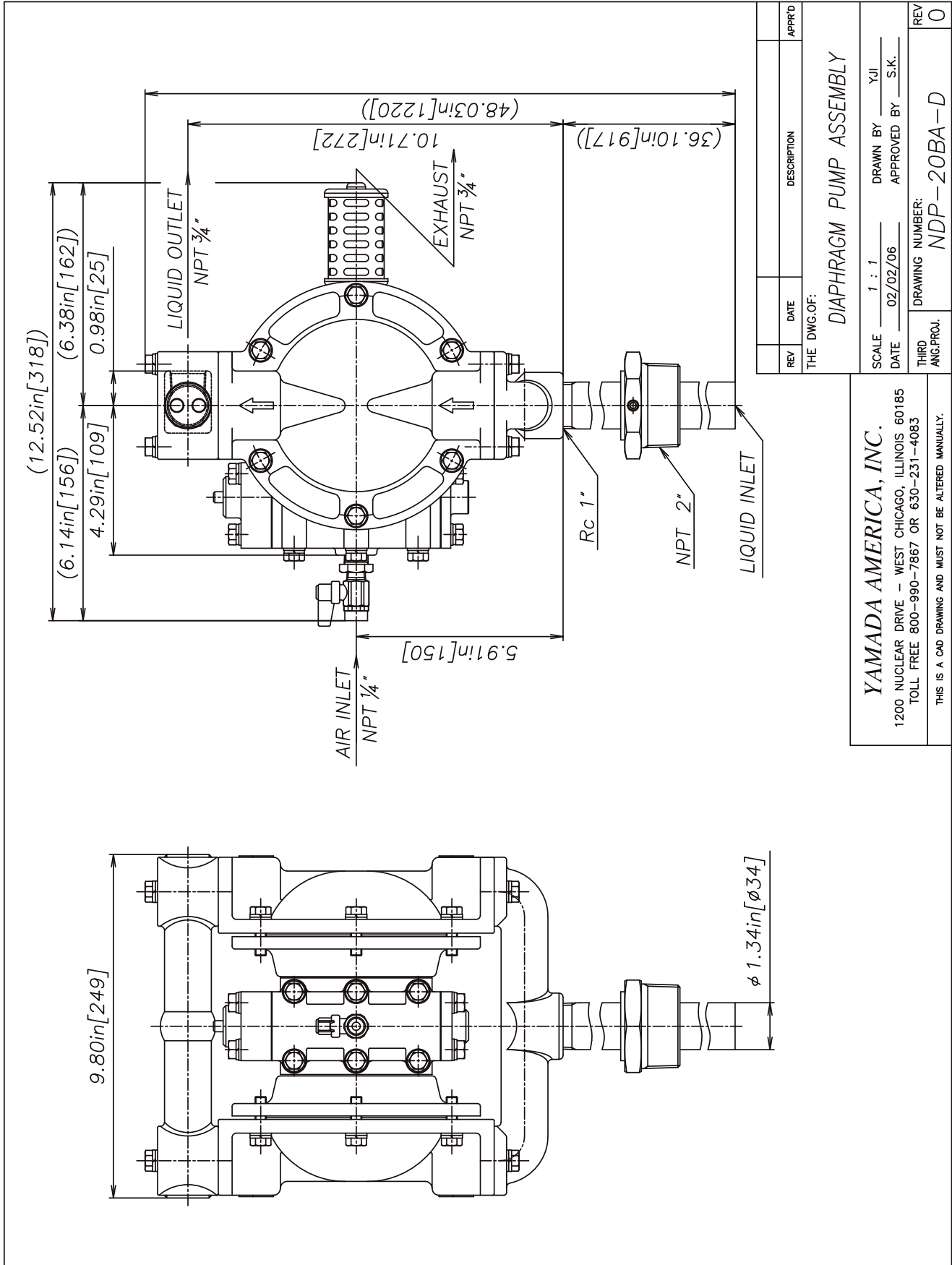


REV	DATE	DESCRIPTION	APPR'D
THE DWG. OF:			
DIAPHRAGM PUMP ASSEMBLY			
SCALE	1 : 1	DRAWN BY	YJI
DATE	02/02/06	APPROVED BY	S.K.
THIRD ANG. PROJ.		DRAWING NUMBER:	NDP-20BA
REV			0

YAMADA AMERICA, INC.
 1200 NUCLEAR DRIVE - WEST CHICAGO, ILLINOIS 60185
 TOLL FREE 800-990-7867 OR 630-231-4083
 THIS IS A CAD DRAWING AND MUST NOT BE ALTERED MANUALLY.



Distributor: **HVTECH CO., LTD**
 Tel: 04-62814227; Fax: 04-62814228
 Website: hvtech.vn; Email: contact@hvtech.vn

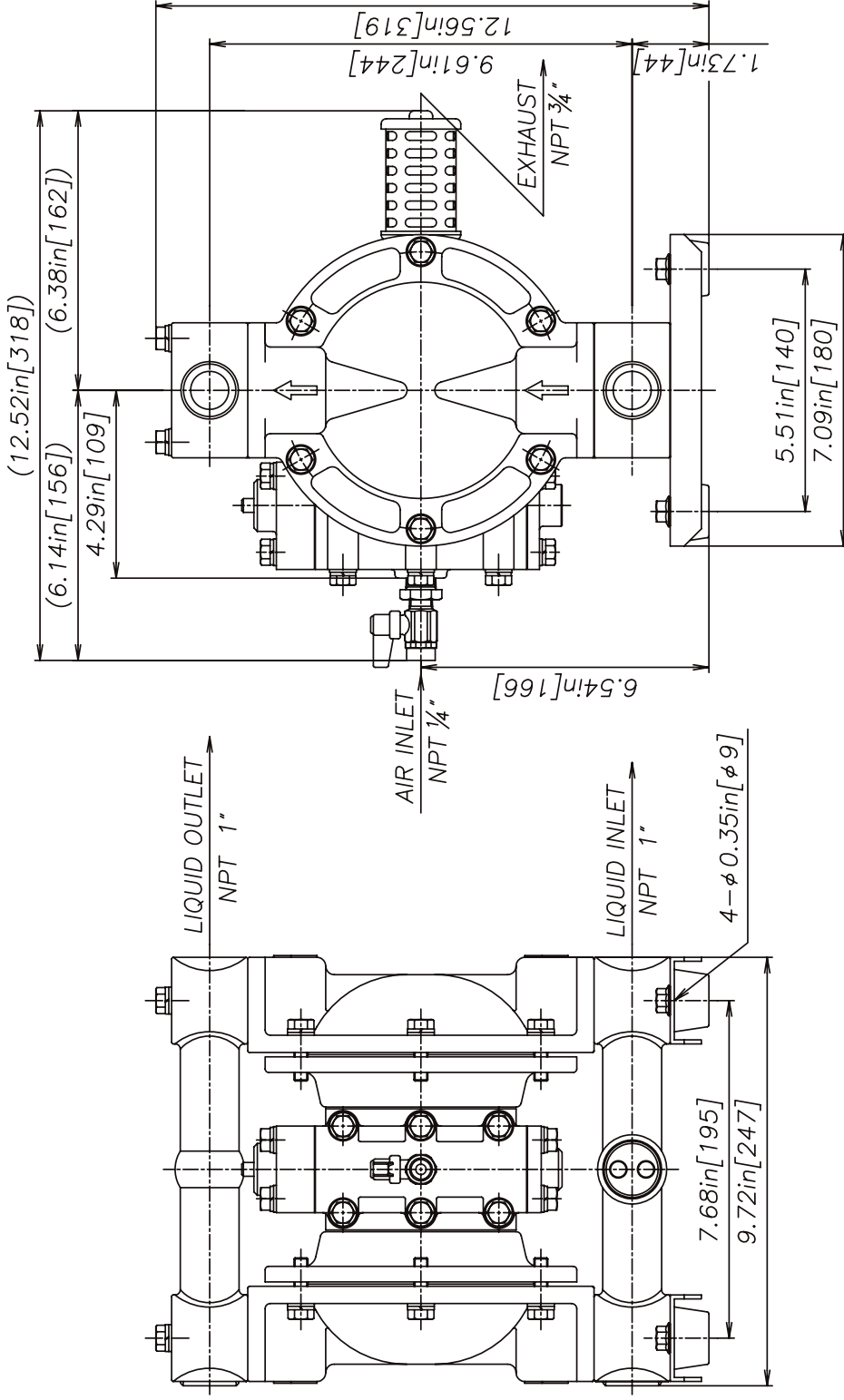


REV	DATE	DESCRIPTION	APPR'D

THE DWG. OF: **DIAPHRAGM PUMP ASSEMBLY**

YAMADA AMERICA, INC.
 1200 NUCLEAR DRIVE - WEST CHICAGO, ILLINOIS 60185
 TOLL FREE 800-990-7867 OR 630-231-4083
 THIS IS A CAD DRAWING AND MUST NOT BE ALTERED MANUALLY.

SCALE: 1 : 1
 DATE: 02/02/06
 DRAWN BY: YJI
 APPROVED BY: S.K.
 THIRD ANG. PROJ.
 DRAWING NUMBER: **NDP-20BA-D**
 REV: 0

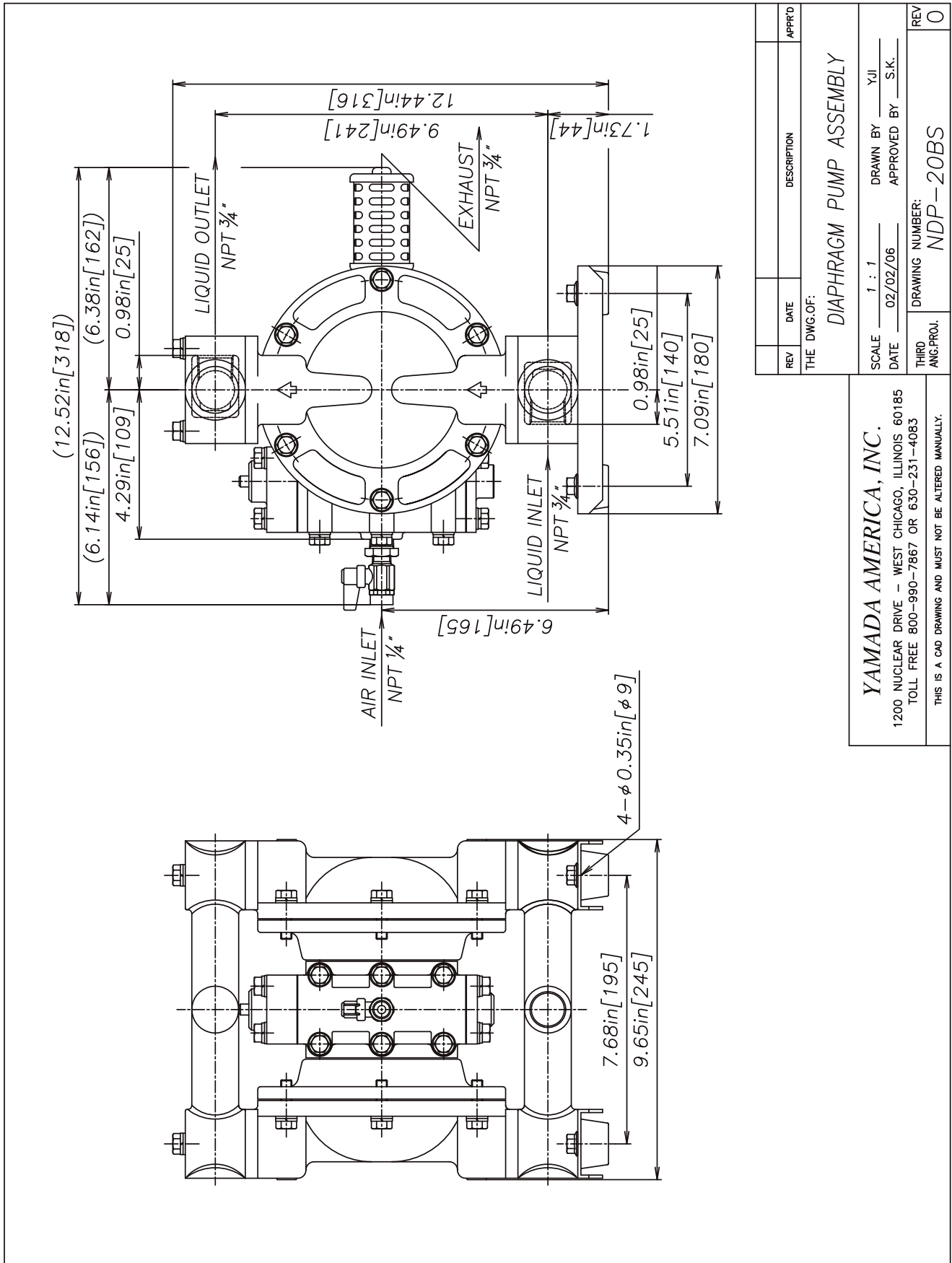


REV	DATE	DESCRIPTION	APPR'D
THE DWG.OF: DIAPHRAGM PUMP ASSEMBLY			
SCALE: 1 : 1		DRAWN BY: YJI	
DATE: 02/02/06		APPROVED BY: S.K.	
THIRD ANG.PROJ.	DRAWING NUMBER: NDP-20BA-1S		REV: 0

YAMADA AMERICA, INC.
 1200 NUCLEAR DRIVE - WEST CHICAGO, ILLINOIS 60185
 TOLL FREE 800-990-7867 OR 630-231-4083
 THIS IS A CAD DRAWING AND MUST NOT BE ALTERED MANUALLY.



Distributor: **HVTECH CO., LTD**
 Tel: 04-62814227; Fax: 04-62814228
 Website: hvtech.vn; Email: contact@hvtech.vn



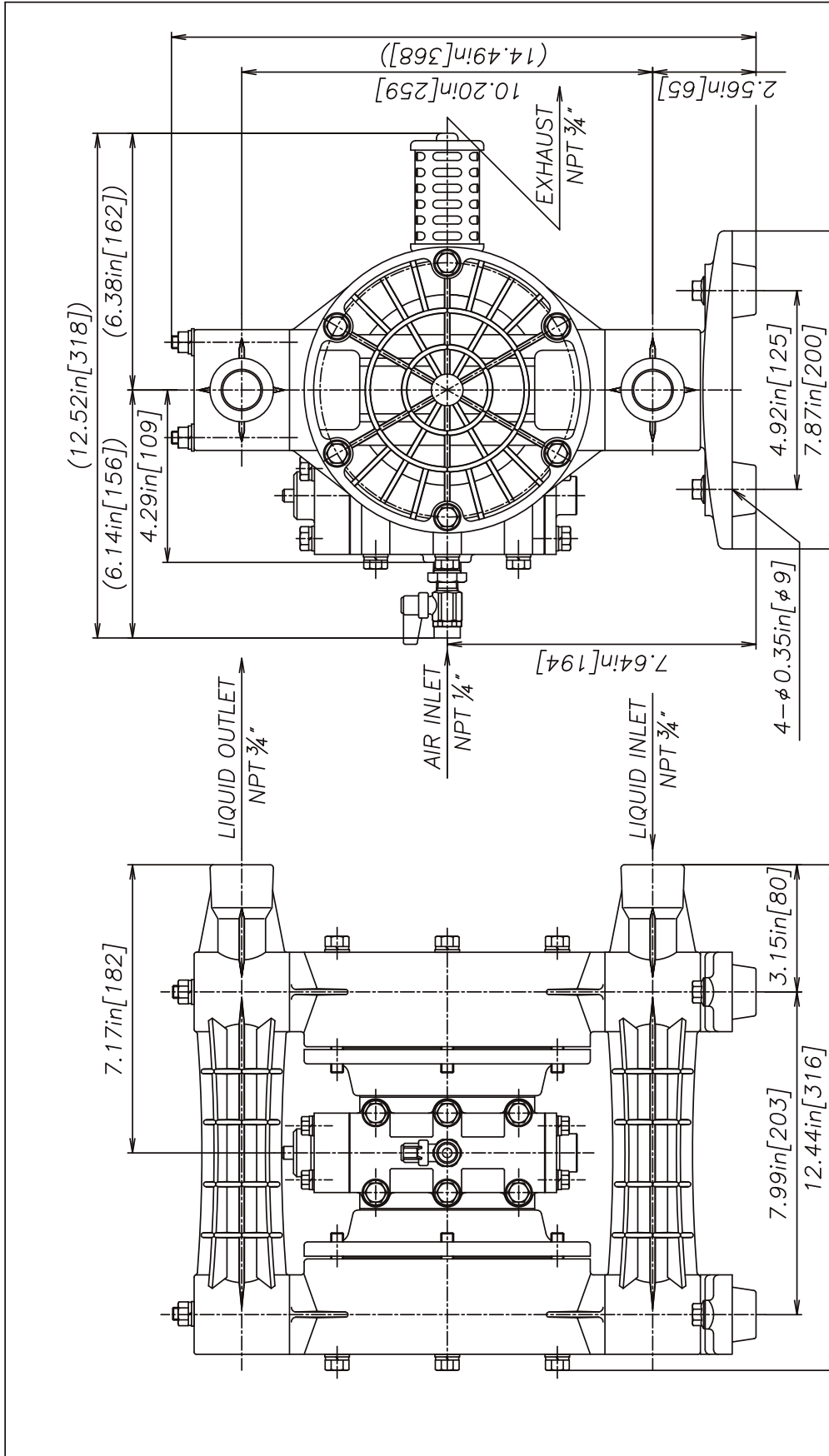
REV	DATE	DESCRIPTION	APPR'D

THE DWG. OF: **DIAPHRAGM PUMP ASSEMBLY**

SCALE: 1 : 1 DRAWN BY: YJI
 DATE: 02/02/06 APPROVED BY: S.K.

THIRD ANG. PROJ. DRAWING NUMBER: **NDP-20BS** REV: **0**

YAMADA AMERICA, INC.
 1200 NUCLEAR DRIVE - WEST CHICAGO, ILLINOIS 60185
 TOLL FREE 800-990-7867 OR 630-231-4083
 THIS IS A CAD DRAWING AND MUST NOT BE ALTERED MANUALLY.

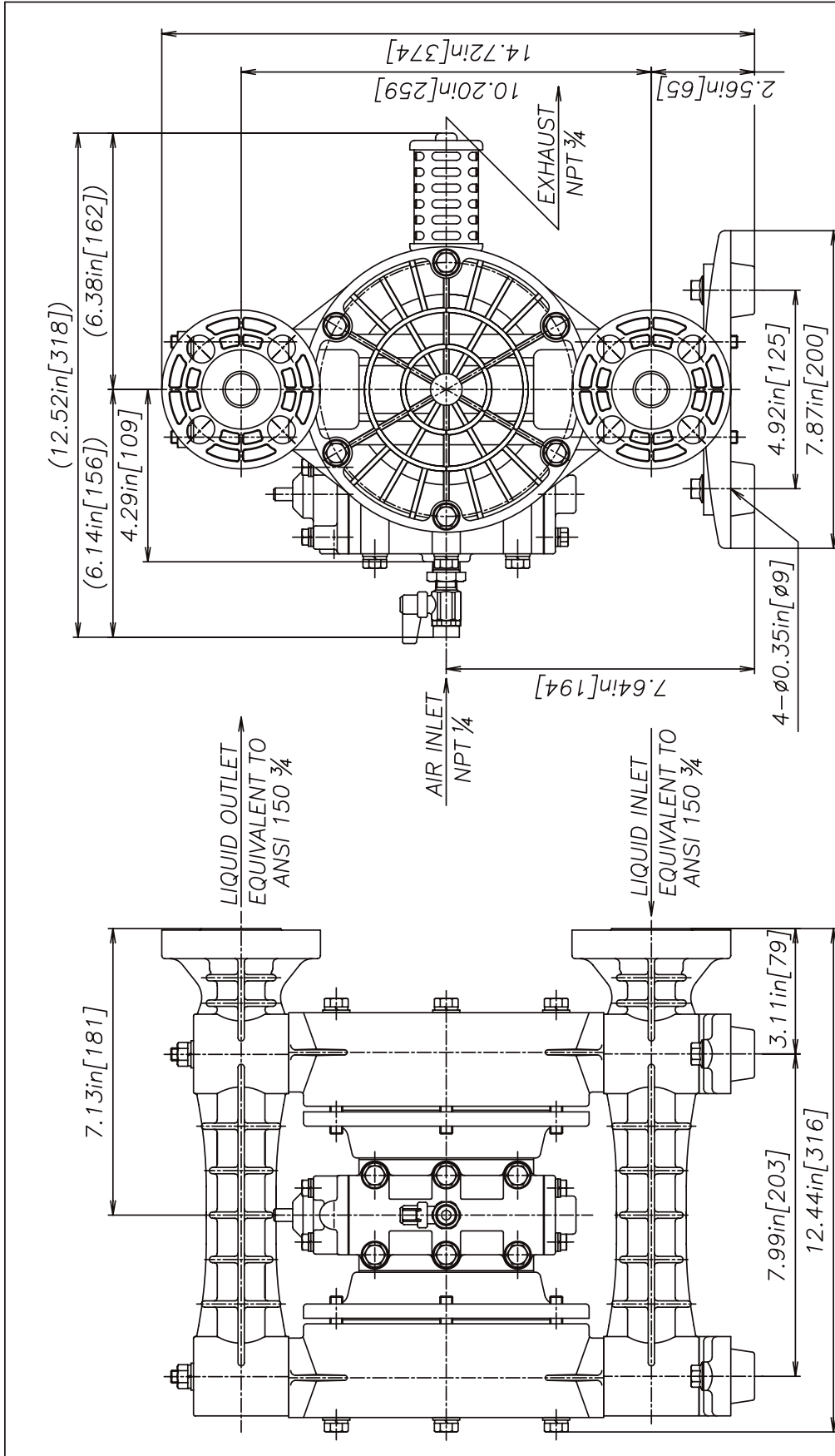


REV	DATE	DESCRIPTION	APPR'D
		DIAPHRAGM PUMP ASSEMBLY	

THE DWG. OF:

SCALE: 1 : 1
 DATE: 02/02/06
 DRAWN BY: YJI
 APPROVED BY: S.K.
 THIRD ANG. PROJ.
 DRAWING NUMBER: NDP-20BP NPT
 REV: 0

YAMADA AMERICA, INC.
 1200 NUCLEAR DRIVE - WEST CHICAGO, ILLINOIS 60185
 TOLL FREE 800-990-7867 OR 630-231-4083
 THIS IS A CAD DRAWING AND MUST NOT BE ALTERED MANUALLY.



REV	DATE	DESCRIPTION	APPR'D

THE DWG. OF: **DIAPHRAGM PUMP ASSEMBLY**

SCALE: 1 : 1 DRAWN BY: YJI
DATE: 02/02/06 APPROVED BY: S.K.

THIRD ANG. PROJ. DRAWING NUMBER: **NDP-20BP FLANGE 0**

YAMADA AMERICA, INC.
1200 NUCLEAR DRIVE - WEST CHICAGO, ILLINOIS 60185
TOLL FREE 800-990-7867 OR 630-231-4083
THIS IS A CAD DRAWING AND MUST NOT BE ALTERED MANUALLY.

AutoCAD® is a registered trademark of Autodesk, Inc.

Hytre® is a registered trademark of E.I. du Pont de Nemours and Company.

Kynar® is a registered trademark of Arkema.

Nordel™ is a trademark of DuPont Dow Elastomers.

Ryton® is a registered trademark of Chevron Phillips Chemical Company.

Santoprene® is a registered trademark of Advanced Elastomer Systems.

Swagelok® & VCR® are trademarks of the Swagelok Companies.

Viton® is a registered trademark of DuPont Performance Elastomers.

Due to Yamada's continued commitment to product improvement, specifications may change without notice.