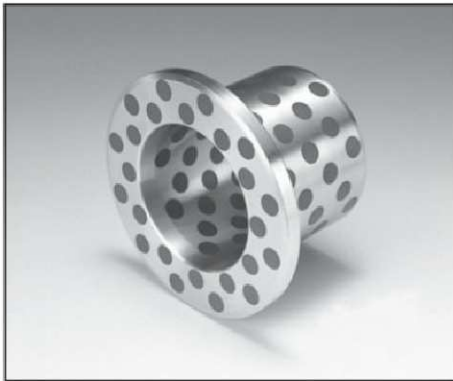


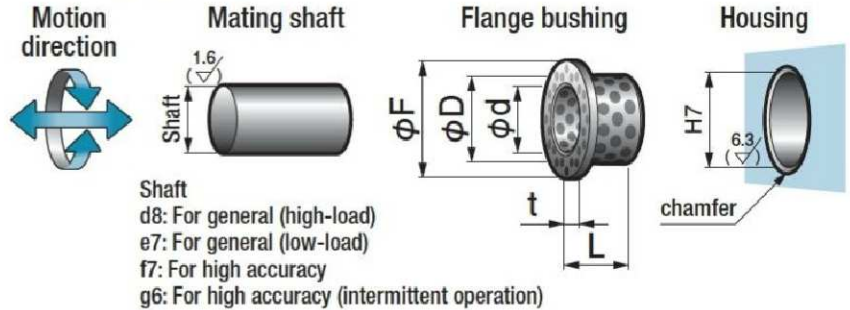
SPFG Oiles 500SP Thrust Bushings



Specify Part No. by required I.D. and Length.
 (e.g.) I.D. is 35mm and length is 25mm.

SPFG - 3525

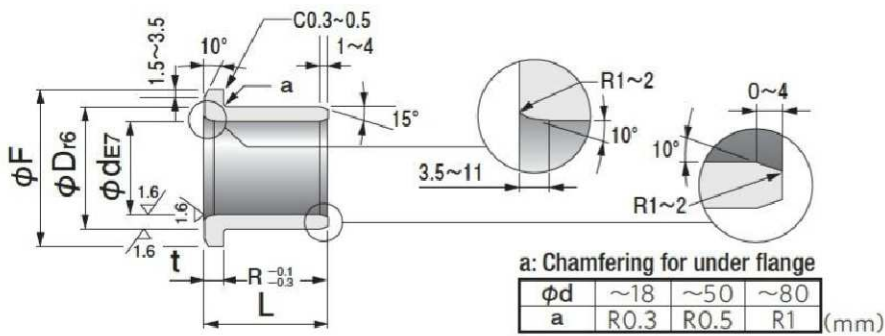
Parts No.



I.D.		O.D.		Flange			Length L						
ϕd	Tolerance	ϕD	Tolerance	ϕF	Tolerance	t	Tolerance	11	13	18	20	23	25
6	+0.032 +0.020	10	+0.028 +0.019	20	0 -0.3	3	0 -0.03	0611					
8	+0.040 +0.025	12	+0.034 +0.023	25	0 -0.3	3	0 -0.03		0813				
10	+0.040 +0.025	14	+0.034 +0.023	25	0 -0.3	3	0 -0.03		1013	1018			
12	+0.050 +0.032	18	+0.034 +0.023	30	0 -0.3	3	0 -0.03	1211		1218		1223	
13	+0.050 +0.032	19	+0.041 +0.028	30	0 -0.3	3	0 -0.03		1313	1318		1323	
15	+0.050 +0.032	21	+0.041 +0.028	35	0 -0.3	3	0 -0.03		1513	1518		1523	
16	+0.050 +0.032	22	+0.041 +0.028	35	0 -0.3	3	0 -0.03		1613	1618		1623	
18	+0.050 +0.032	24	+0.041 +0.028	40	0 -0.3	3	0 -0.03			1818		1823	
20	+0.061 +0.040	28	+0.041 +0.028	45	0 -0.3	5	0 -0.03				2020		2025
25	+0.061 +0.040	33	+0.050 +0.034	50	0 -0.3	5	0 -0.03				2520		2525
30	+0.061 +0.040	38	+0.050 +0.034	55	0 -0.3	5	0 -0.03				3020		3025
35	+0.075 +0.050	44	+0.050 +0.034	65	0 -0.3	5	0 -0.03				3520		3525
40	+0.075 +0.050	50	+0.050 +0.034	70	0 -0.3	7	0 -0.03						
50	+0.075 +0.050	62	+0.060 +0.041	90	0 -0.3	8	0 -0.04						
60	+0.090 +0.060	74	+0.062 +0.043	110	0 -0.3	8	0 -0.04						
70	+0.090 +0.060	85	+0.073 +0.051	120	0 -0.3	10	0 -0.04						
80	+0.090 +0.060	96	+0.073 +0.051	140	0 -0.3	10	0 -0.04						

※The I.D. tolerance after press fitting is for reference only.

▲The dimensional tolerances are the values measured at +25°C.



- Applicable to rotational, oscillating, and reciprocating motion.
- This bushing can be subject to both radial-journal and thrust load.

Length L												I.D. tolerance after press fitting (reference)	I.D.
27	35	37	38	47	48	50	58	60	68	80	90		ϕd
												+0.016 +0.004	6
												+0.021 +0.006	8
												+0.021 +0.006	10
												+0.031 +0.013	12
												+0.026 +0.008	13
												+0.026 +0.008	15
												+0.026 +0.008	16
												+0.026 +0.008	18
												+0.037 +0.016	20
												+0.032 +0.011	25
	3035											+0.032 +0.011	30
	3535											+0.046 +0.021	35
4027		4037		4047								+0.046 +0.021	40
			5038		5048		5058					+0.040 +0.015	50
			6038		6048		6058		6068			+0.053 +0.023	60
						7050				7080		+0.046 +0.016	70
								8060			8090	+0.046 +0.016	80